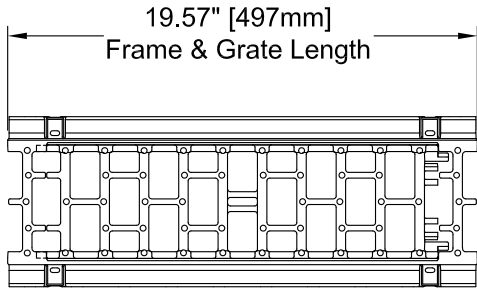
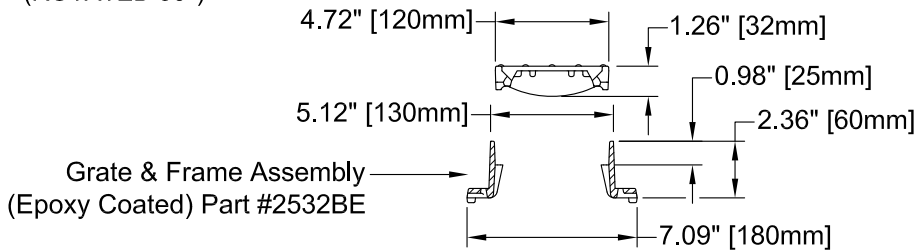


Plan Notes

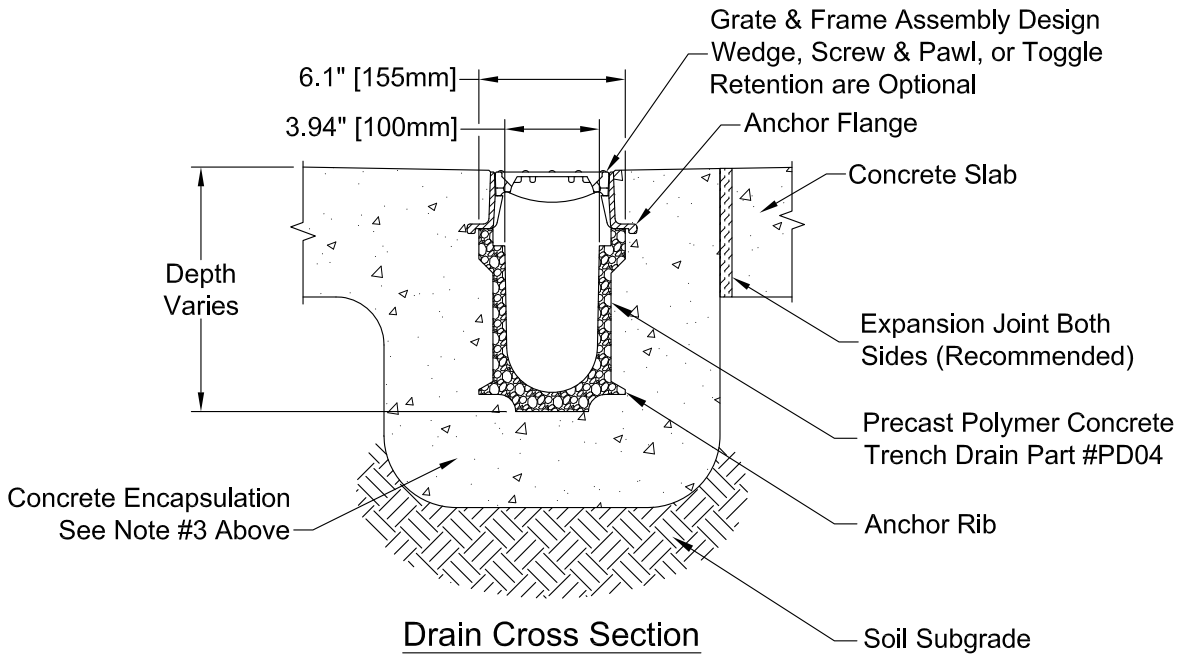
1. Series Number: PD-2532BE
2. Grate & Frame:
 - Ductile Iron per ASTM A536 Grade 80-55-06 (Epoxy Coated)
 - Open Area: 0.23 FT² per Lineal Foot [0.072 M² per lineal Meter]
 - Load Rating: 2469 PSI (AASHTO M-306 Test Method-Modified)
 - Made in the USA
3. Channel encapsulation concrete design, strength, and reinforcement must be suitable for the application. Thickness per Structural Engineer, slab thickness, or 4 inches; whichever is greater.



Frame & Grate Top View
(ROTATED 90°)



Grate & Frame End View



Drain Cross Section

Copyright © 2011 ABT, Inc.



P.O. BOX 837, 259 MURDOCK ROAD
TROUTMAN, NC 28166
(704) 528-9806

PolyDrain - 4" [100mm] ID Precast Trench Drain with Epoxy Coated Grate & Frame Assembly (200,000 lb Rated)

SERIES:

PD-2532BE

REV: **02**

Proprietary rights of ABT, Inc. are included in the information disclosed herein. The recipient, by accepting this document, agrees that neither this document nor the information disclosed herein nor any part thereof shall be copied, reproduced or transferred to others for manufacturing or for any other purpose except as specifically authorized in writing by ABT, Inc.

DISCLAIMER: The customer and the customer's architects, engineers, consultants and other professionals are completely responsible for the selection, installation, and maintenance of any product purchased from ABT, and EXCEPT AS EXPRESSLY PROVIDED IN ABT'S STANDARD WARRANTIES, ABT MAKES NO WARRANTY, EXPRESS OR IMPLIED, AS TO THE SUITABILITY, DESIGN, MERCHANTABILITY, OR FITNESS OF THE PRODUCT FOR CUSTOMER'S APPLICATION. Copies of ABT's standard warranties are available upon request.