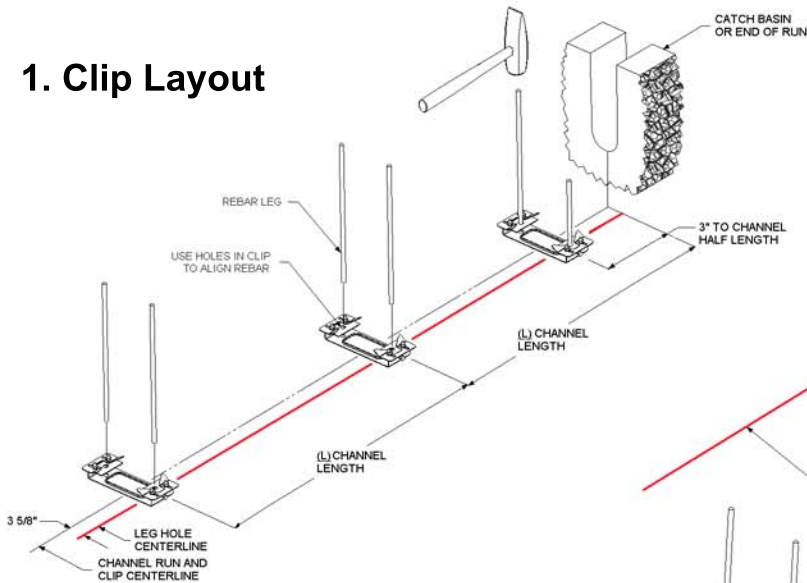
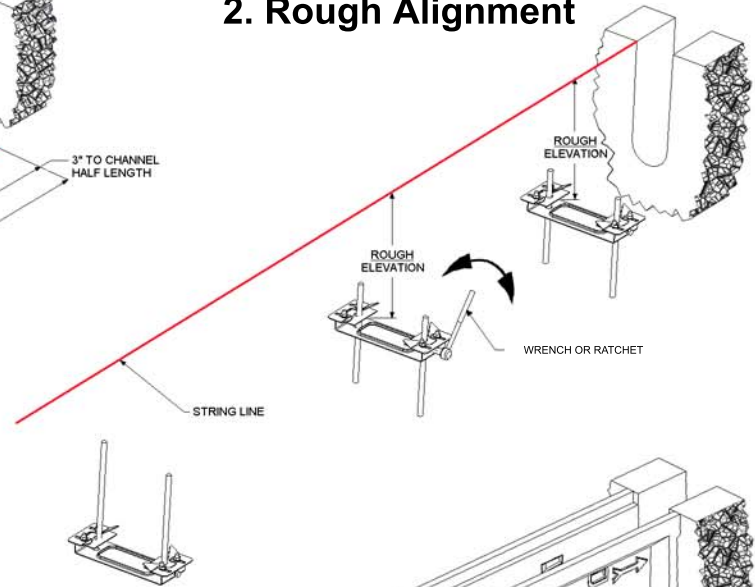


POLYCLIP II INSTALLATION INSTRUCTIONS

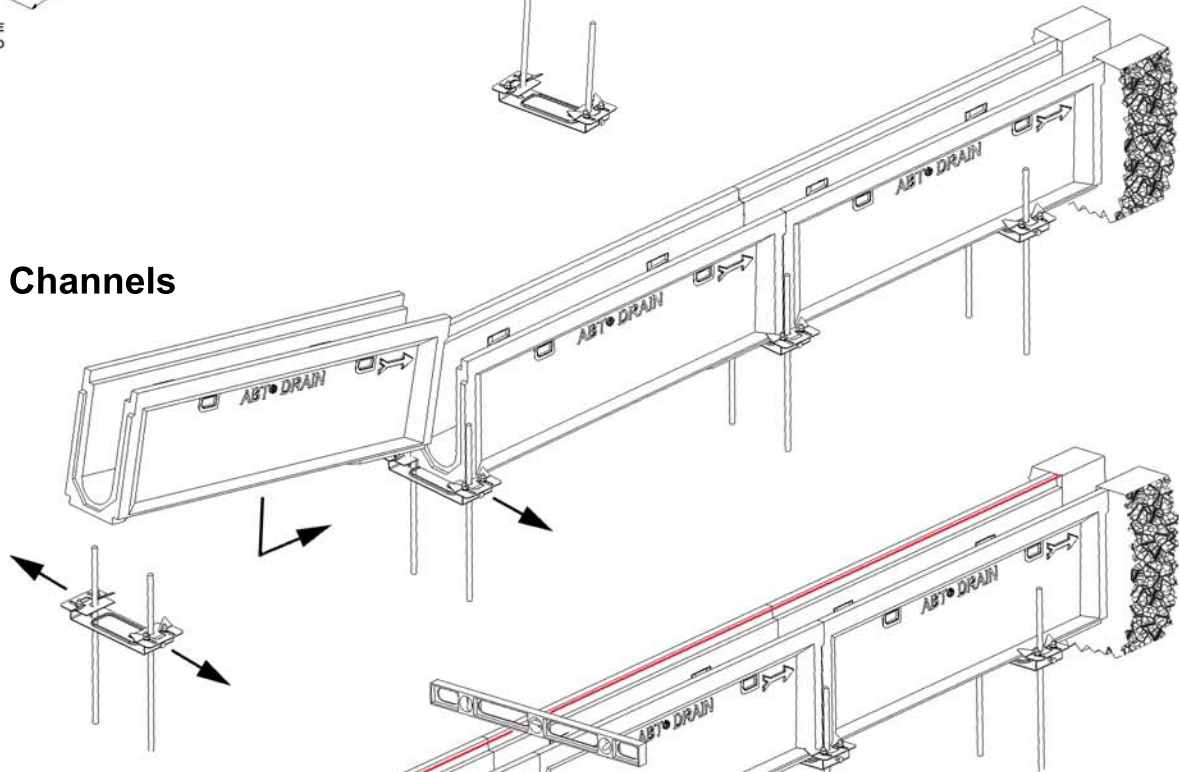
1. Clip Layout



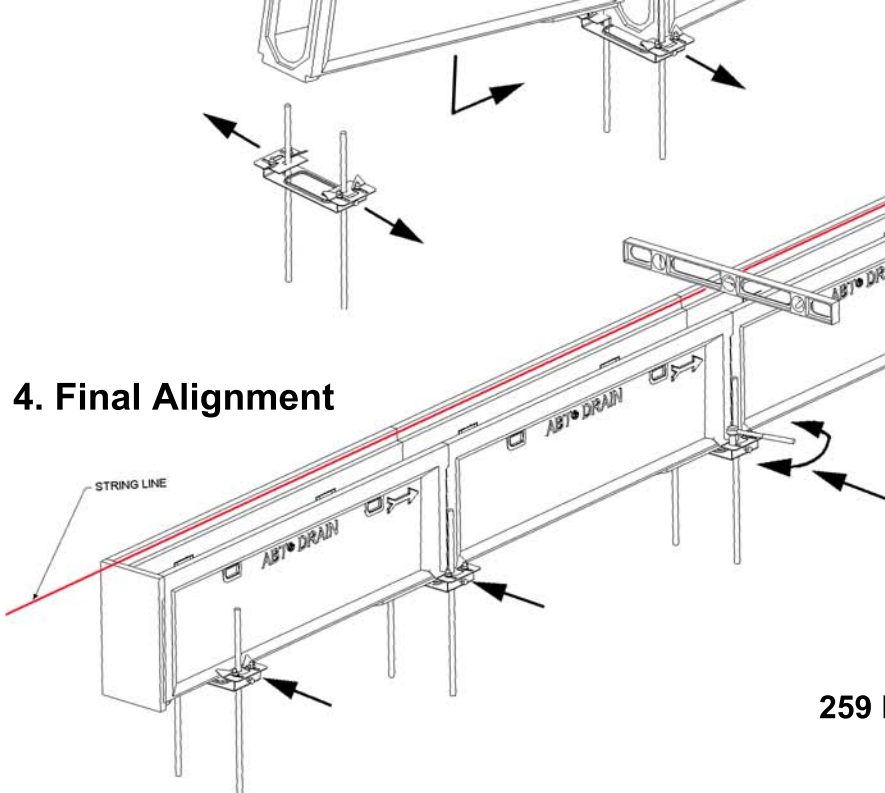
2. Rough Alignment



3. Setting Channels



4. Final Alignment



ABT, Inc.

259 Murdock Road, Troutman, NC 28166
(800)438-6057 abtdrains.com