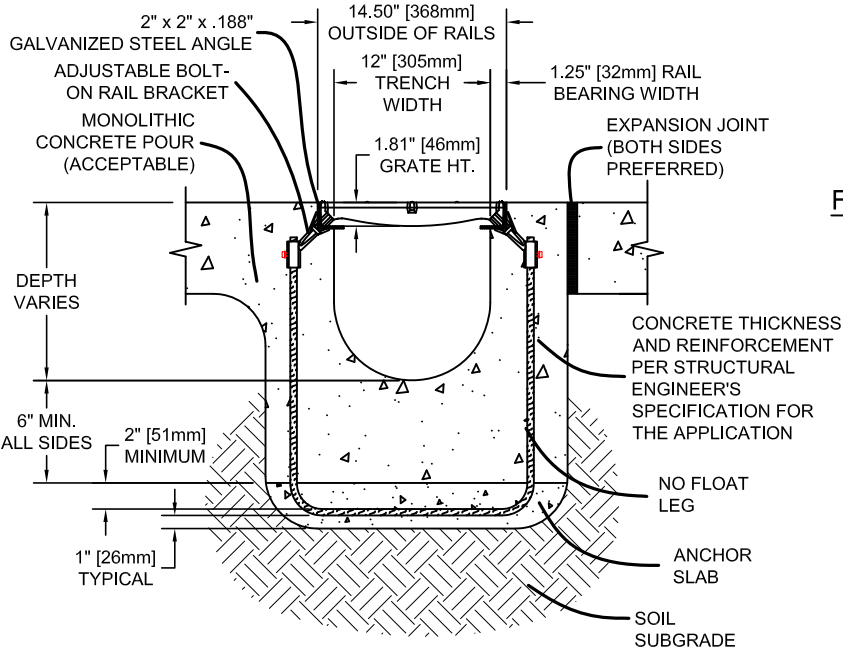
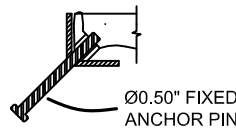


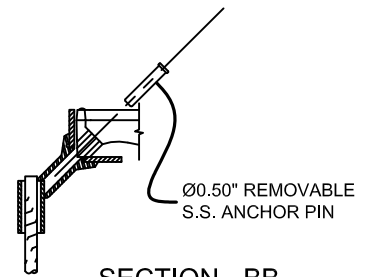
**ELEVATION VIEW**



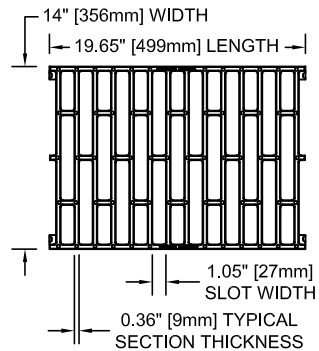
**END CROSS SECTION VIEW**



**SECTION - AA  
FIXED PIN DETAIL**



**SECTION - BB  
REMOVABLE PIN DETAIL**



**GRATE**



**SYSTEM ID - TR12-12C5E.G1-2G73**

**ABT, INC.**<sup>®</sup>  
 P.O. BOX 837, 259 MURDOCK ROAD  
 TROUTMAN, NC 28166  
 (704) 528-9806

SPECIFICATION DRAWING © 2009 ABT, Inc.  
**TRENCH FORMER MHD 12 SYSTEM  
 (FORMERLY MD300/MHD300)**

FILE: **S-MHD 12-GAL-FO**

PART: **MHD 12**

Proprietary rights of ABT, Inc. are included in the information disclosed herein. The recipient, by accepting this document, agrees that neither this document nor the information disclosed herein nor any part thereof shall be copied, reproduced or transferred to others for manufacturing or for any other purpose except as specifically authorized in writing by ABT, Inc.

**DISCLAIMER** : The customer and the customer's architects, engineers, consultants and other professionals are completely responsible for the selection, installation, and maintenance of any product purchased from ABT, and EXCEPT AS EXPRESSLY PROVIDED IN ABT'S STANDARD WARRANTIES, ABT MAKES NO WARRANTY, EXPRESS OR IMPLIED, AS TO THE SUITABILITY, DESIGN, MERCHANTABILITY, OR FITNESS OF THE PRODUCT FOR CUSTOMER'S APPLICATION. Copies of ABT's standard warranties are available upon request.