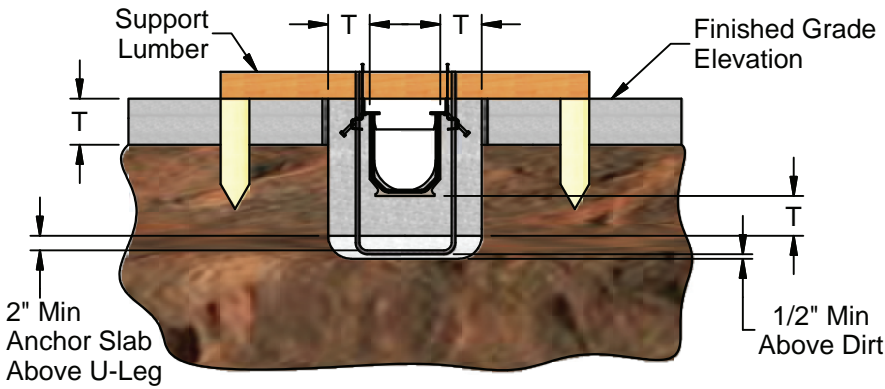


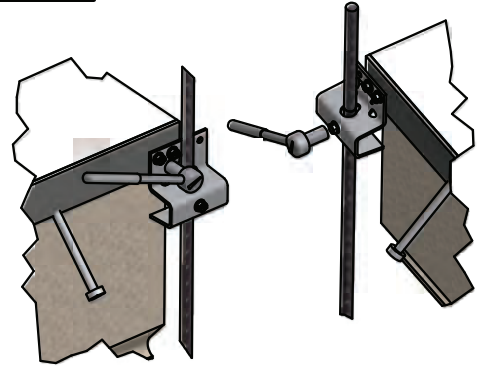
# INSTALLATION INSTRUCTIONS

## PDX<sup>®</sup> - TOGGLE LOCK

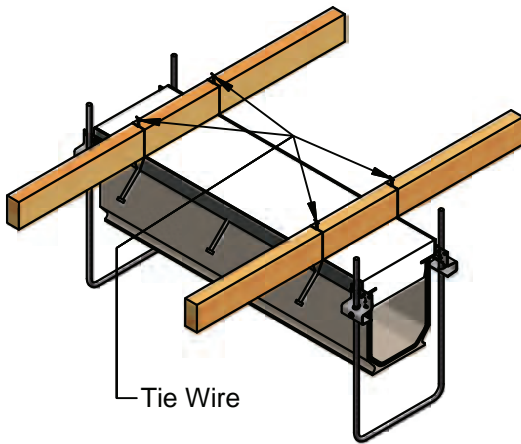


### 1. EXCAVATION

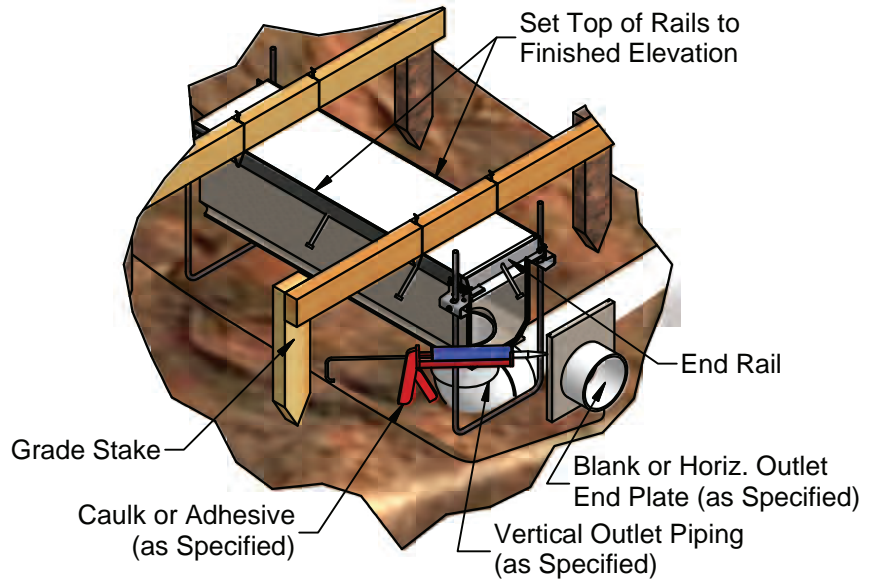
T = per Structural Engineer



### 2. LEG ATTACH

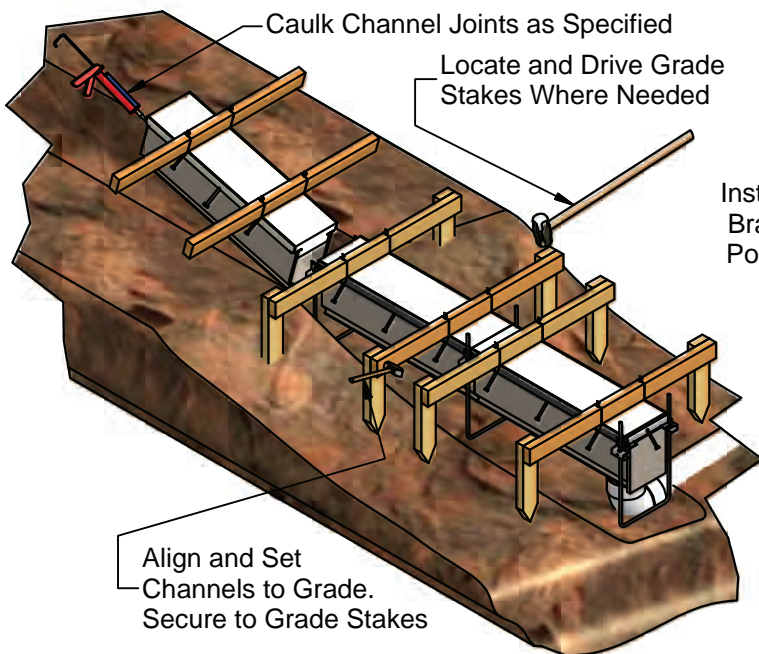


### 3. SUPPORT LUMBER ATTACH



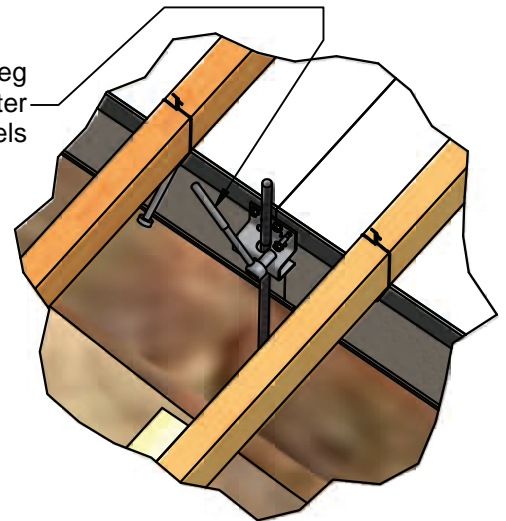
### 4. DISCHARGE PLACE & ALIGN

Locate and Align Outlet Channel First. Start at Deep End and Work to Shallow End.

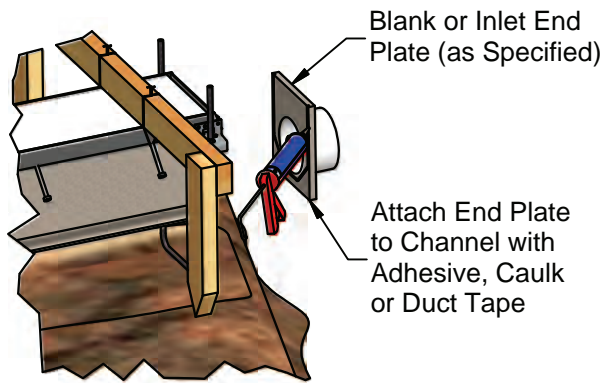


### 5. CHANNEL PLACE & ALIGN

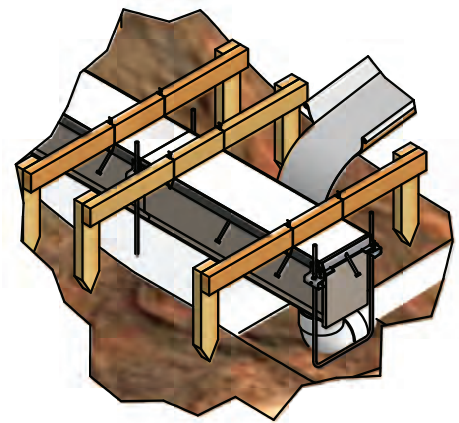
Install Remaining Leg Bracket Screws After Positioning Channels



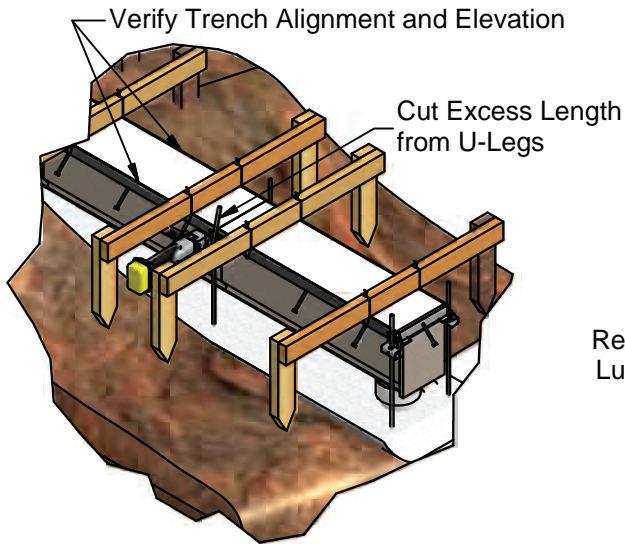
### 6. RAIL CONNECTION



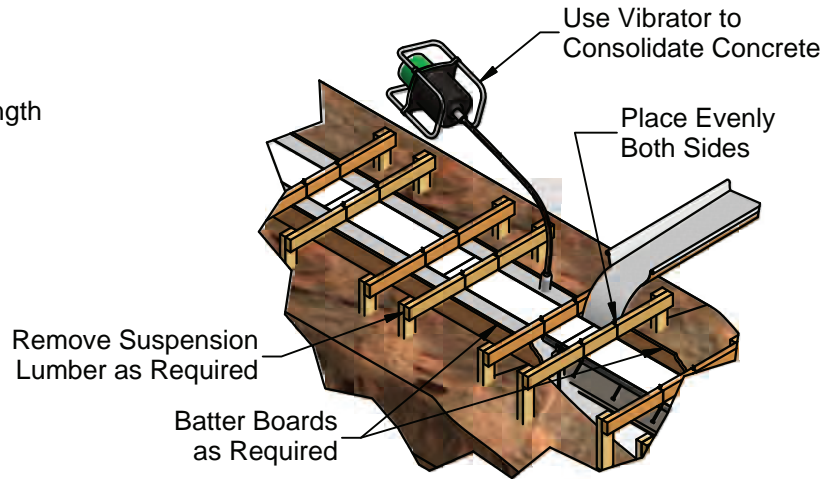
7. END PLATE



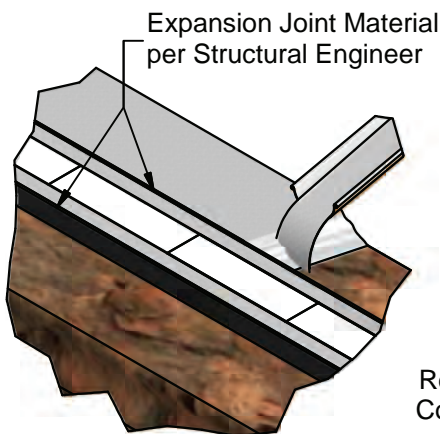
8. PLACE ANCHOR SLAB  
See Step 1 for Dimensions



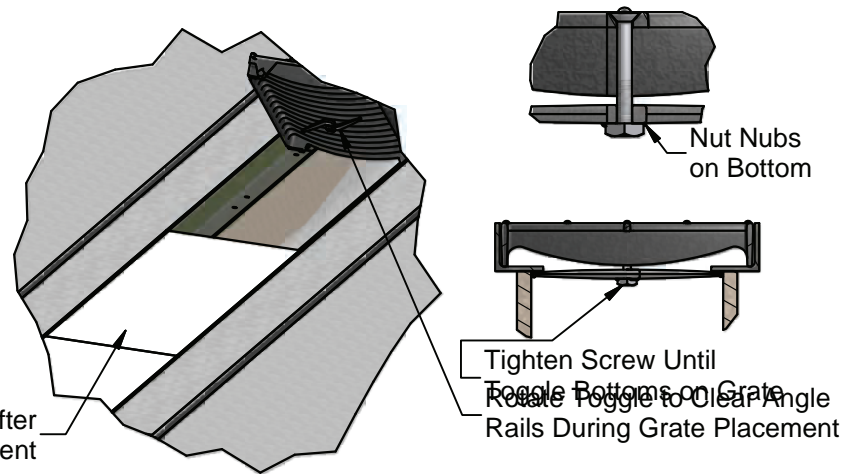
9. FINAL ALIGN  
& U-LEG TRIM



10. ENCAPSULATION CONCRETE  
PLACEMENT AND CONSOLIDATION



11. FLOOR CONCRETE  
PLACEMENT



12. GRATE INSTALLATION

**ABT<sup>®</sup>, Inc.**

259 Murdock Road, P.O. Box 837  
Troutman, NC 28166  
abt drains.com 1-800-438-6057

ABT's warranties are void if  
components or installation  
procedures are modified.  
ver. 4/27/2011