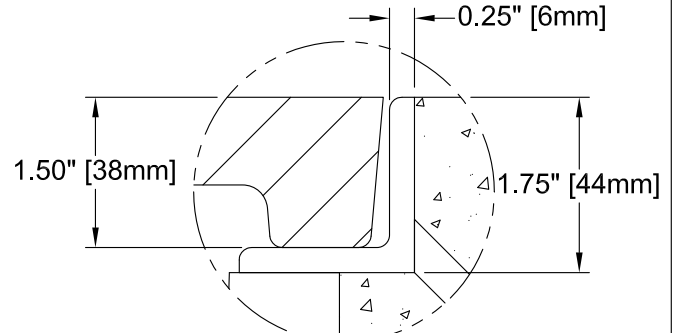


COVER TOP VIEW
(ROTATED 90°)

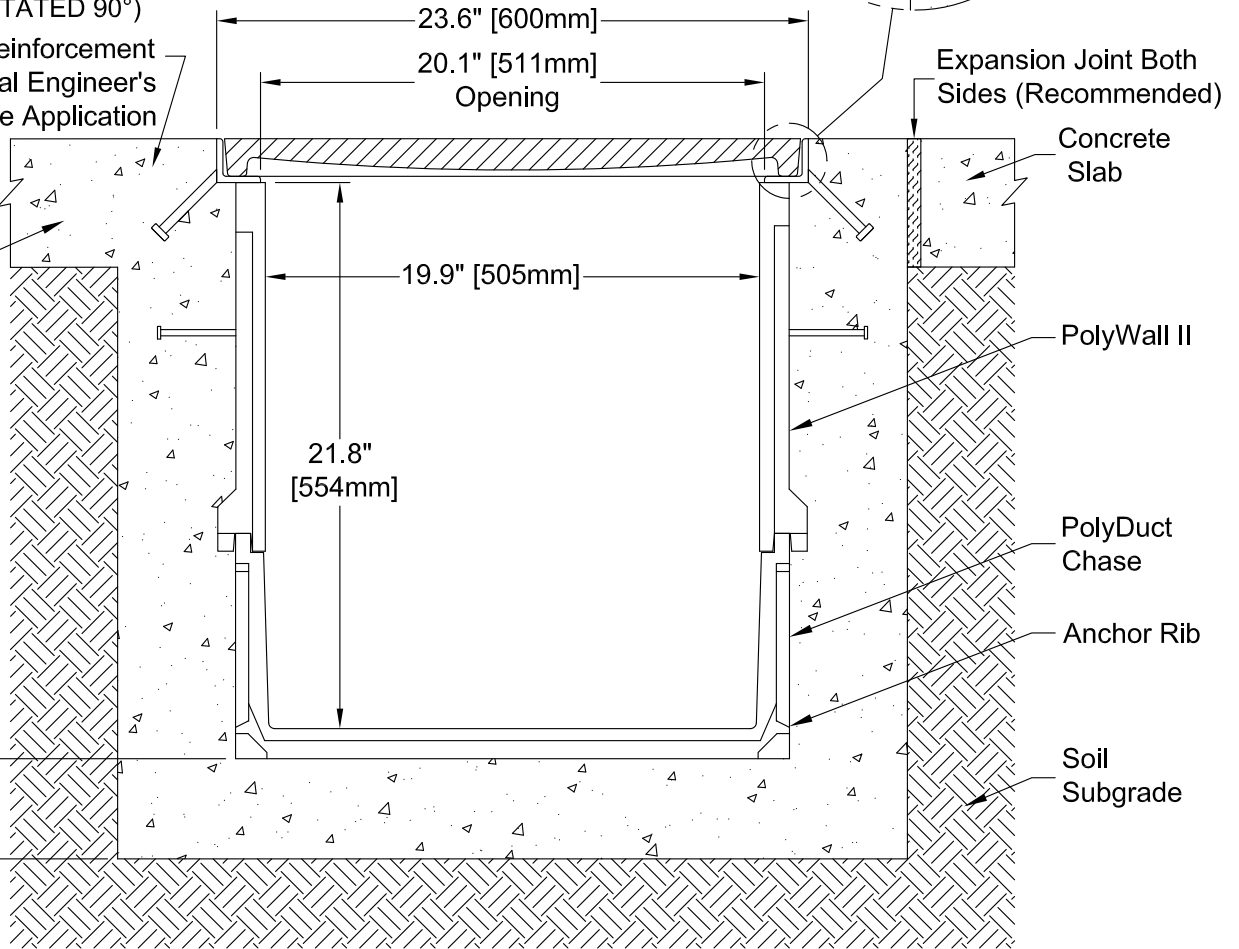
Plan Notes

1. Series Number: 2002.20-CIS-1.5C
2. Covers:
 - Gray Iron per ASTM A-84, Class 30 (Uncoated)
 - Load Rating: Heavy Duty Traffic
3. Frames:
 - Unitized Steel (Black Epoxy Coated)
 - Conforms to ASTM A-36 / A-36M-93a Standards
4. Made in the USA



Concrete Thickness & Reinforcement
per Structural Engineer's
Specification for the Application

Monolithic Concrete
Pour (Acceptable)



END CROSS SECTION VIEW

Copyright © 2010 ABT, Inc.



P.O. BOX 837, 259 MURDOCK ROAD
TROUTMAN, NC 28166
(704) 528-9806

**PolyDuct™ 20" [505mm] ID Precast Utility Chase with
Epoxy Coated Frame and Uncoated Gray Iron Cover**

SERIES:

2002.20-CIS-1.5C

REV: 00

Proprietary rights of ABT, Inc. are included in the information disclosed herein. The recipient, by accepting this document, agrees that neither this document nor the information disclosed herein nor any part thereof shall be copied, reproduced or transferred to others for manufacturing or for any other purpose except as specifically authorized in writing by ABT, Inc.

DISCLAIMER: The customer and the customer's architects, engineers, consultants and other professionals are completely responsible for the selection, installation, and maintenance of any product purchased from ABT, and EXCEPT AS EXPRESSLY PROVIDED IN ABT'S STANDARD WARRANTIES, ABT MAKES NO WARRANTY, EXPRESS OR IMPLIED, AS TO THE SUITABILITY, DESIGN, MERCHANTABILITY, OR FITNESS OF THE PRODUCT FOR CUSTOMER'S APPLICATION. Copies of ABT's standard warranties are available upon request.