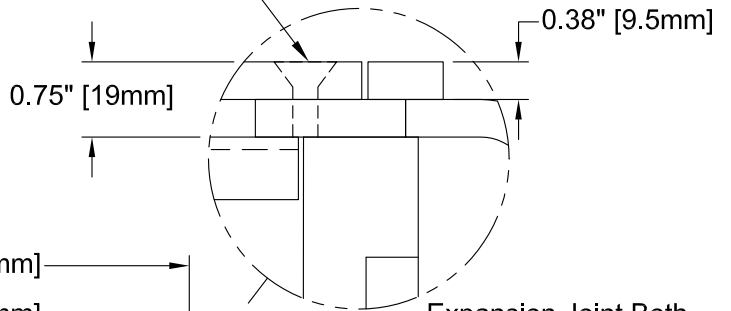


Epoxy Coated Steel Floor Plate
Retained by Flat Head Screw

Concrete Thickness
and Reinforcement per
Structural Engineer's
Specification for
the Application

Monolithic Concrete
Pour (Acceptable)



Expansion Joint Both
Sides (Recommended)

Concrete Slab

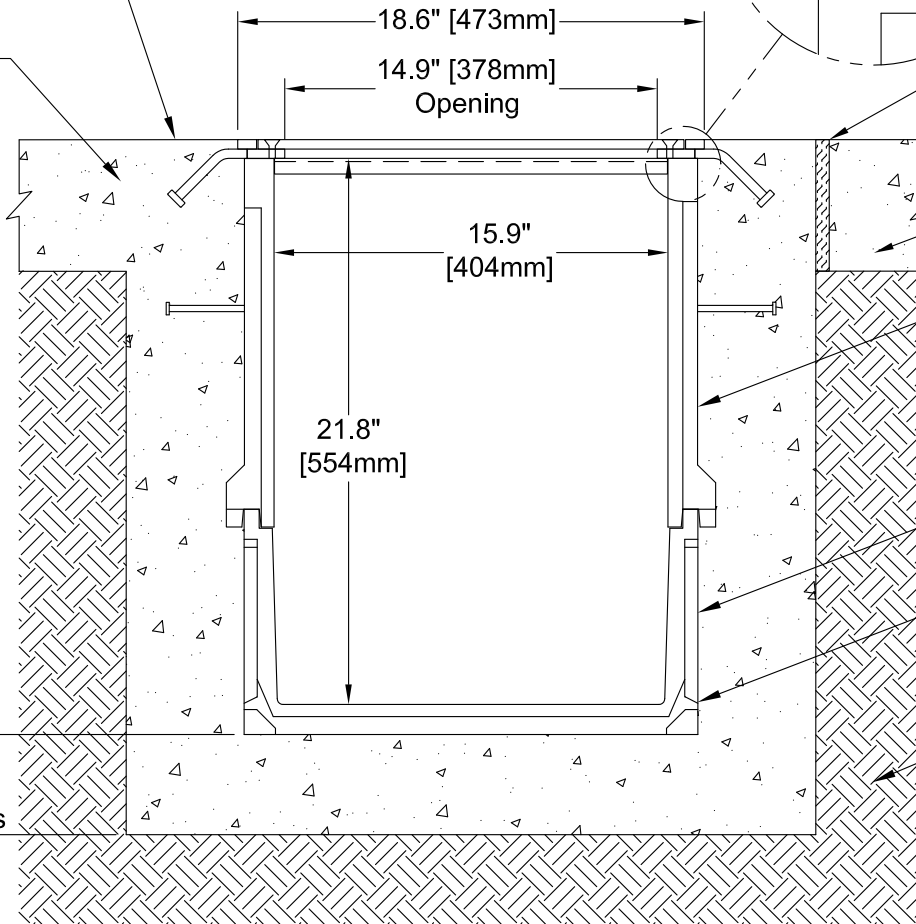
PolyWall II

PolyDuct Chase

Anchor Rib

Soil Subgrade

Monolithic Pour
4" [102mm]
Minimum All Sides



END CROSS SECTION VIEW

Copyright © 2010 ABT, Inc.



P.O. BOX 837, 259 MURDOCK ROAD
TROUTMAN, NC 28166
(704) 528-9806

**PolyDuct™ 16" [404mm] ID Precast Utility Chase with
PolyWall II and 0.38" [9.5mm] Thick Bolted Steel Floor Plate**

SERIES:

2002.16-BFP.38C

REV: **01**

Proprietary rights of ABT, Inc. are included in the information disclosed herein. The recipient, by accepting this document, agrees that neither this document nor the information disclosed herein nor any part thereof shall be copied, reproduced or transferred to others for manufacturing or for any other purpose except as specifically authorized in writing by ABT, Inc.

DISCLAIMER: The customer and the customer's architects, engineers, consultants and other professionals are completely responsible for the selection, installation, and maintenance of any product purchased from ABT, and EXCEPT AS EXPRESSLY PROVIDED IN ABT'S STANDARD WARRANTIES, ABT MAKES NO WARRANTY, EXPRESS OR IMPLIED, AS TO THE SUITABILITY, DESIGN, MERCHANTABILITY, OR FITNESS OF THE PRODUCT FOR CUSTOMER'S APPLICATION. Copies of ABT's standard warranties are available upon request.