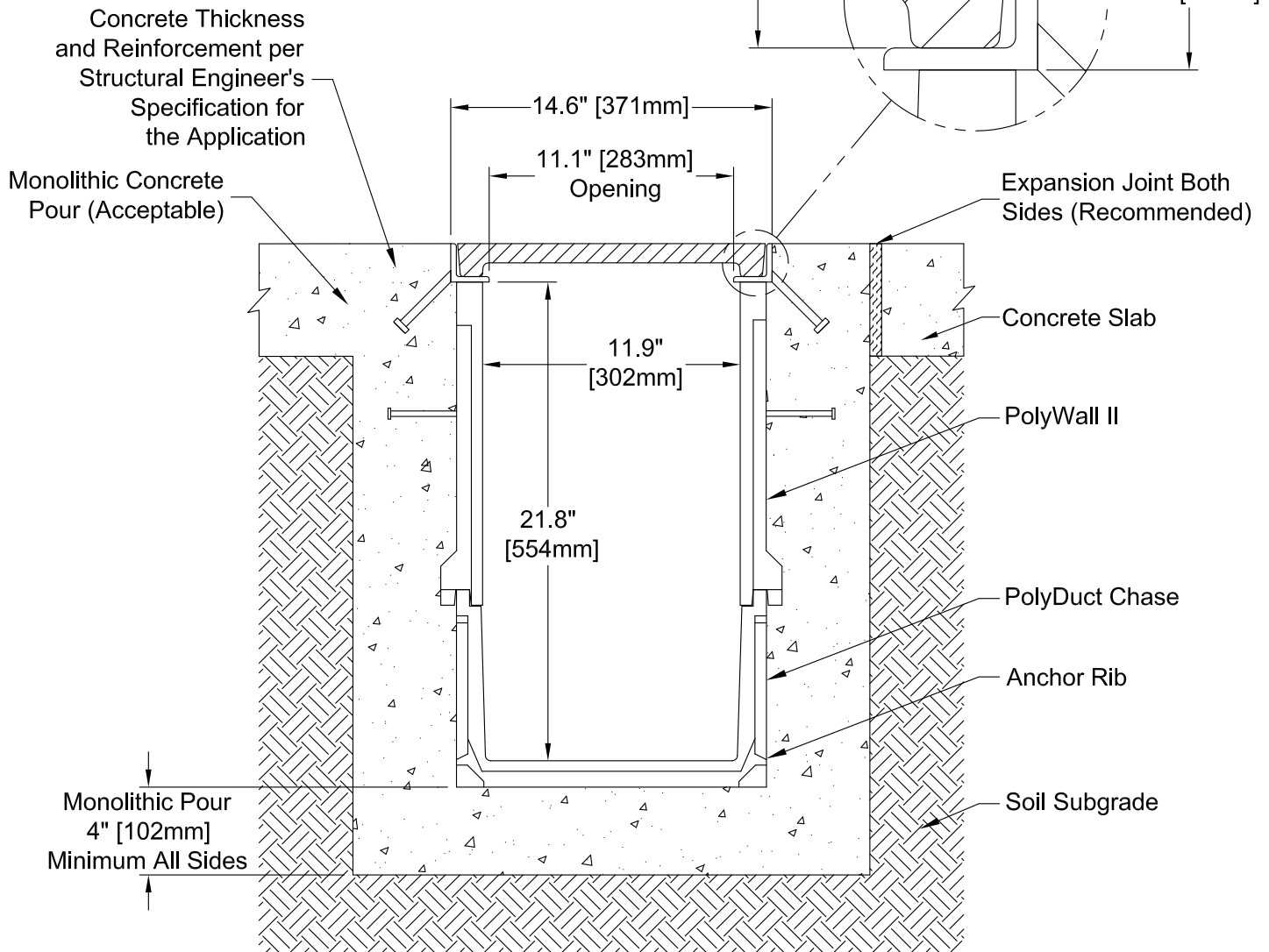
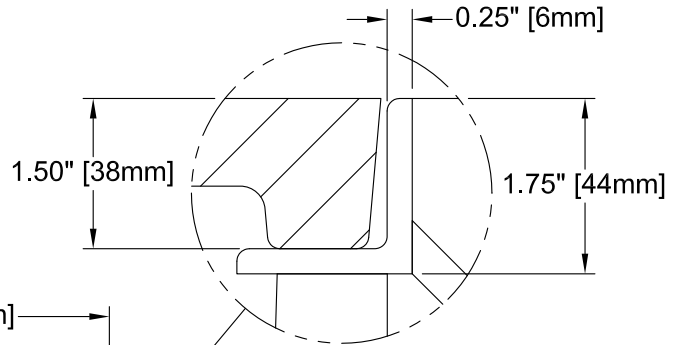


COVER TOP VIEW
(ROTATED 90°)

Plan Notes

1. Series Number: 2002.12-CIS-1.5C
2. Covers:
 - Ductile Iron per ASTM A536-84 (Uncoated)
 - Load Rating: 620 PSI (AASHTO M-306 Test Method)
3. Frames:
 - Unitized Steel (Black Epoxy Coated)
 - Conforms to ASTM A-36 / A-36M Standards
4. Made in the USA



END CROSS SECTION VIEW

Copyright © 2010 ABT, Inc.

ABT, INC.
P.O. BOX 837, 259 MURDOCK ROAD
TROUTMAN, NC 28166
(704) 528-9806

PolyDuct™ 12" [305mm] ID Precast Utility Chase with Epoxy Coated Frame and Uncoated Ductile Iron Cover

SERIES: **2002.12-CIS-1.5C**

REV: **00**

Proprietary rights of ABT, Inc. are included in the information disclosed herein. The recipient, by accepting this document, agrees that neither this document nor the information disclosed herein nor any part thereof shall be copied, reproduced or transferred to others for manufacturing or for any other purpose except as specifically authorized in writing by ABT, Inc.

DISCLAIMER: The customer and the customer's architects, engineers, consultants and other professionals are completely responsible for the selection, installation, and maintenance of any product purchased from ABT, and EXCEPT AS EXPRESSLY PROVIDED IN ABT'S STANDARD WARRANTIES, ABT MAKES NO WARRANTY, EXPRESS OR IMPLIED, AS TO THE SUITABILITY, DESIGN, MERCHANTABILITY, OR FITNESS OF THE PRODUCT FOR CUSTOMER'S APPLICATION. Copies of ABT's standard warranties are available upon request.